

Vacuum Switch Electronic

for relative pressure -1...0 bar (-30...0 inHg)

- Vacuum switch and gauge
- Smart intelligent Sensor
- Light weight and space saving Design
- Two Output Signals programmable (no/nc)
- Hysteresis or Comparator Mode Operation
- Programmable Pressure Units (bar, KPa, mmHg, inHg)
- LED Switching Status Indication
- Very Fast Switching – less than 2,5 ms
- Advanced Functions:
 - Programmable delays to 180 seconds
 - Access code prevents tampering



GENERAL DATA

Pressure Range	-1...0 bar (-30...0 inHg) , relative to ambient pressure
Fluid	Filtered compressed air, lubricated or unlubricated, neutral gases
Programmable pressure units	bar, KPA, mmHg, inHg
Operating Voltage	10,8 VDC - 30 VDC ± 10 % (Short-circuit protected)
Digital Output	2 x PNP sourcing type transistor, 125 mA per output Set-/ Reset Points programmable 0 – 100% FS
Switching Frequency	200 Hz

MECHANICAL DATA

Weight	45 g
Electrical Connection	M8 x 1 - 4 pin
Material Housing	Plastic ABS-PC / brass nickel-plated
Port	G 1/8" female (BSPP), ABS-PC / G1/8" male brass nickel-plated

ORDERING INFORMATION

Name	nano PSVDD vacuum
Part Number	250 02 060 (G 1 /8" female) 250 02 061 (G 1 /8" male)


ELECTRICAL DATA

Operating Voltage	10,8 VDC - 30 VDC ± 10 % (Short-circuit protected)
Current Consumption	35 mA
Display Panel / Keypad	Bright 3-digit LED Display, LED-status indicator for each output, Keypad access protection prevents tampering
Repeat accuracy	0.2% of measured value
Ambient Temperature Influence	3% of measured value at 0 to 50°C
Test voltage	1000 VDC 1 min
Insulation resistance	>100 M at 500 VDC
Protection class	SELV

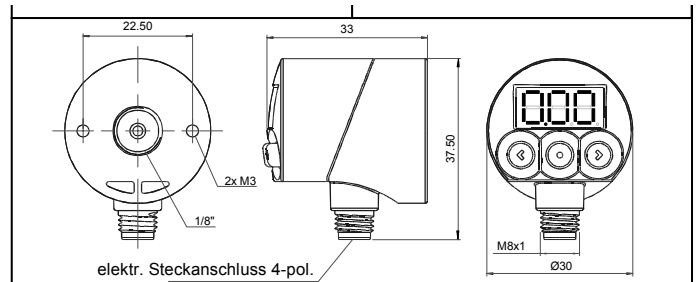
ENVIRONMENTAL

Mounting	Arbitrary
Max. Excess Pressure	5 bar
Degree of Protection	IP 65
Material Housing / Port	Plastic ABS-PC
Electromagnetic Compatibility	Adheres to DIN EN 50081-1 / DIN EN 50082-2
Shock Resistance	10G XYZ
Vibration Resistance	10 to 55 Hz, 1.5 mm, XYZ 2 hours

WIRING

PIN	WIRING	CABLE	PLUG
1	Ub+	brown	
2	OUT 2	white	
3	0V	blue	
4	OUT 1	black	

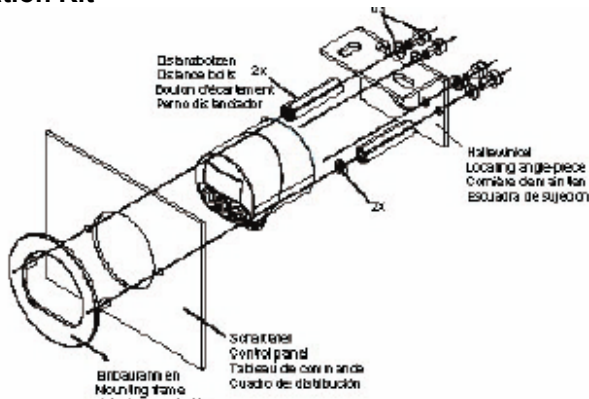
DRAWING



ACCESSORY

Cable with plug	5 meter with axial plug M8 x 1	110 26 310
Cable with plug	5 meter with radial plug M8 x 1	110 26 300
Mounting accessory	Installation Kit for Front Panel	080 40 570
Mounting accessory	Fixing Bracket	080 40 530

Installation Kit



Cable M8 x1

