

Vacuum-/ Pressure Switch electronic 0...-1 bar / 0...10 bar

Features:

- Electronic switch
- Ultra compact design
- Extreme lightweight
- Transistor output signal
- Easy handling with potentiometer and LED
- LED-switching indication
- Cost efficient solution
- Wired ready for connection



Brief Description:

The electronic vacuum and pressure switches of MP-SENSOR are trendsetting in view of technology and design.

This series is designed as cost-saving electronic switches for all applications where little weight and a small body is helpful.

Short response time and easy handling are further arguments for usage in all kind of pic-and-place applications in the electrical industry or medical engineering.

The switchpoint can be adjusted easily with the potentiometer and the switching-LED.

General Facts:

protection class	SELV
protection category	IP40

Model:

PSV-1M
PSP-10F

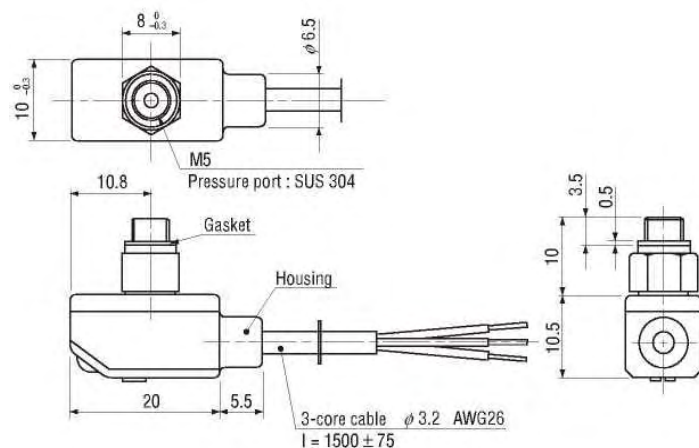
Order No.

250 23 100
250 23 200

Range

0 ... -1 bar
0 ... 10 bar

Dimensions



ELECTRICAL DATA

Operating Voltage	10,8 – 30 VDC
Current Consumption	≤ 20 mA
Switching Output Signal	PNP open-collector transistor, max 80 mA
Switching Logic	signal „on“ with rising pressure / vacuum signal „off“ with falling pressure / vacuum
Adjusting Switchpoint	potentiometer (0...100% F.S.)
Switching Hysteresis	preset at 2 % F.S. max.
Response Time	≤ 1 ms
Switching Frequency	1000 Hz
Repeatability	± 3 % F.S. (0...50°C)
Switching Indicator	LED red (when output signal is „on“)
Applicable Fluid	non corrosive air or gases
Insulation Resistance	>100 MΩ
Voltage Withstandability	500 VAC for 1 min.

MECHANICAL DATA

Material	ABS - PC plastics
Weight	ca. 5 g
Elektrischer Anschluss	cable three-conductor (VC), 1,5m
Port Connection	M5 male (ss 1.4301) with seal ring (NBR) / M5 female (aluminium)

ENVIRONMENTAL CONDITIONS

Mounting Position	arbitrary
Operating Temperatures	-10... +60°C (compensated range 0...50°C)
Storage Temperature	-20 - +85°C
Maximum Pressure	2 bar (PSV...) / 15 bar (PSP...)
EMC	EN 55011 Group 1 Class B (1998), EN 61326-1 (1997)/A1 (1998)
Shock	1000 m/s ² , XYZ, 3 x
Vibration	10...55 Hz, 1,5mm, XYZ, 2h