

## Network Power Splitter SP-125 Quick Installation

### 0. Before Getting Started

Before getting started, please check Network Power Splitter SP-125 package contents is integrated , router/switcher or PSE meet with the 802.3af. and power consumer is 5V/2A(max) or 12V/1A(max)

Note: USB connect is used to 5V DC power supply only, not for data transmission

With problems, please refer to User Manual from the provided CD for details.

#### Package Contents:

Your package ships with the following items:

- Network Power Splitter SP125
- Terminal Block to 12V (1A) PowerJack Cable x 1pc.
- USB to DC convert cable x 2 pcs.

#### Minimum System Requirements

- POE Router ( PSE - Power supply )

#### Interface Introduction:

##### Front Panel :



Ports:(From left to right ) :

- \* 12V out ( 1 Amp) : for IP Kamera or other power.
- \* USB port : User can use the 4 pcs UDB power supply through in this port, only output for users USB device.
- \* Total Power wattage: 12 Watts
- \* Power LED light: the green light will be on when power is received through RJ-45 jack from POE router

##### Back Panel



Ports (Left to Right):

- \* Lan Out: Normal network jack - no power input passed through in this port, only output
- \* P+Data In : Receive power and data from POE router by normal RJ-45 cable jack.

### Hard ware Installation

1. To get power from POE router, please connect RJ45 cable (not crossed cable) from POE router output to the SP=125 port " P+Data In "
2. When connected there will be power & network signals. The USB ports, 12V Terminal Block port and Network (RJ45 Out) port on SP-125 will begin transmitting information and or power:

\* In front panel:

User can connect "LAN OUT" to IP Camera / HUB / Router through RJ-45 jack to access network information.

\* In back panel:

- Connect "12V out " by Terminal Block to 12V (1A) Power Jack Cable to get 12V / 1A power
- Connect "5V Power out " by USB jack to connect devices (Such as USB FAN, USB Speaker and etc.)

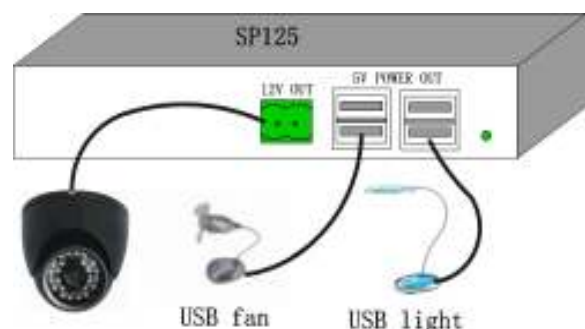
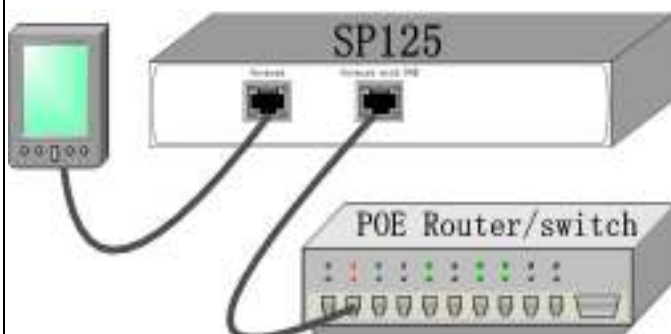
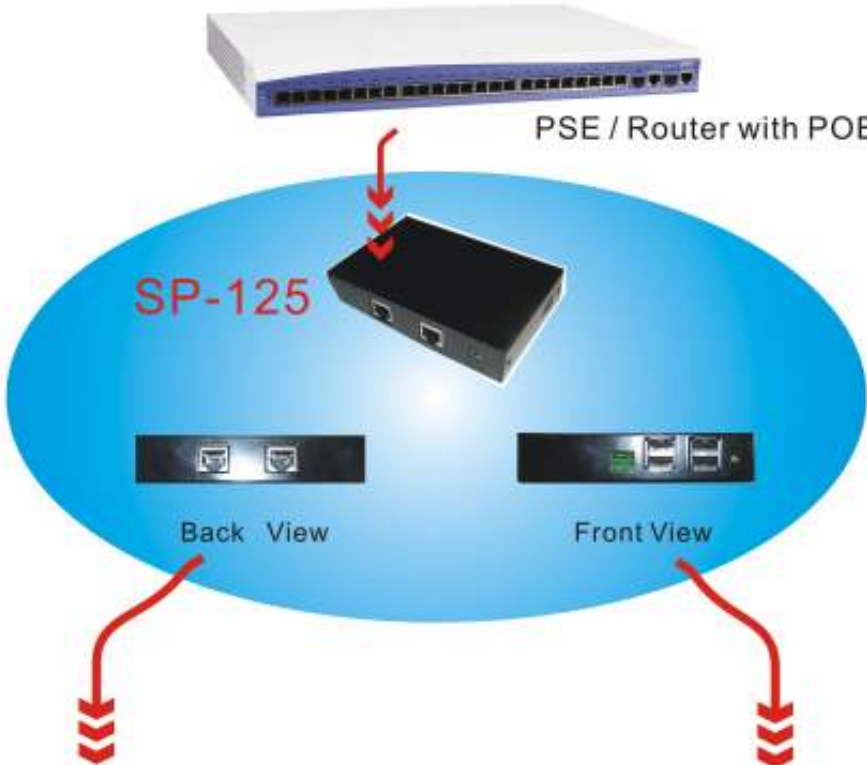


Illustration :



Here are some example of devices that you can connect for Power / Network / USB:



Network Camera



USB Mobile / Mp3 Charger



USB Cleaner



USB Massager



USB Fan



USB Amplifier



USB Heater



USB Light